

Highlights

- Integrated structure design: Filter is milled from one solid piece and has no soldered parts, guaranteeing superior electrical performance.
- Lower insertion loss, higher isolation, and higher power handling capacity.
- Compact design, easy installation.
- Lifetime warranty.



ELECTRICAL SPECIFICATIONS

Models	V3H727-N (Indoor)	V3H727-NP (Outdoor IP65)
Frequency	698–2700MHz	
Insertion Loss	3.6dB	
Isolation	≥22dB	
VSWR	≤1.25	
Impedance	50Ω	
Power Handling per Port	50w	
MTBF	≥500,000h	

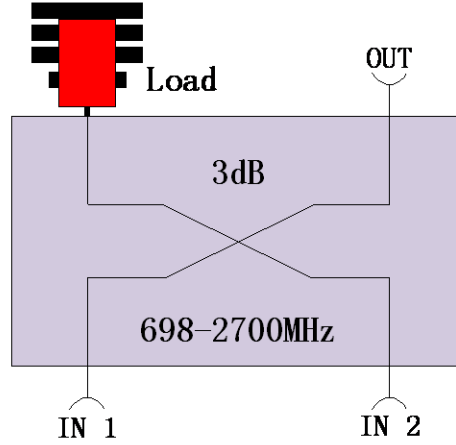
ENVIRONMENT SPECIFICATIONS

Operating Temperature	-20°C to +45°C -4°F to +113°F
Storage Temperature	-40°C to +85°C -40°F to +185°F
Relative Humidity	Up to 95%
Application	Indoor or Outdoor (IP65)

MECHANICAL SPECIFICATIONS

Color	Black
Connectors	N-Female
Weight	0.52Kg 1.15lb
Dimensions	150*44*62.2mm 5.9*1.73*2.45in

Block Diagram



Outline Drawing

