

Highlights

- Integrated structure design: Filter is milled from one solid piece and has no soldered parts, guaranteeing superior electrical performance.
- Lower PIM, lower insertion loss, higher isolation, and higher power handling capacity.
- Differentiated DC block and DC bypass allow full compatibility with requiring TMAs.
- IP67 protection ensures stable performance in any environment.
- Compact design, easy installation.
- Lifetime warranty.



ELECTRICAL SPECIFICATIONS

| Models | T17181921242750S (Single Unit) T17181921242750D (Double Unit) | T17181921242755S (Single Unit) T17181921242755D (Double Unit) |
|----------------------|--|--|
| Frequency | 1710–1880MHz/1920–2170MHz/2400–2700MHz | |
| Intermodulation | ≤-150dBc (IMD3 with 2×20W) | ≤-155dBc (IMD3 with 2×20W) |
| Insertion Loss | ≤0.4dB | |
| Isolation | ≥50dB | |
| VSWR | ≤1.25 | |
| Impedance | 50Ω | |
| Power Handling | 300w Average | |
| DC Bypass/AISG | MAX 2500mA | |
| Lightning Protection | 3KA; 10/350μs Pulse | |
| MTBF | ≥500,000h | |

ENVIRONMENT SPECIFICATIONS

| | |
|-----------------------|----------------------------------|
| Operating Temperature | -20°C to +60°C -4°F to +140°F |
| Storage Temperature | -40°C to +85°C -40°F to +185°F |
| Relative Humidity | Up to 95% |
| Application | Indoor or Outdoor (IP67) |

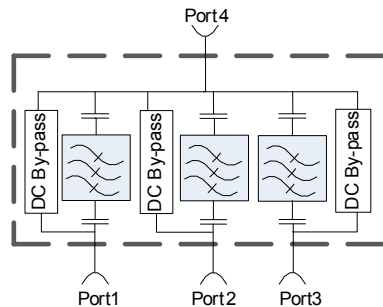
MECHANICAL SPECIFICATIONS

| | |
|------------|---|
| Color | Gray |
| Connectors | DIN-Female (Long Neck) |
| Weight | 2.7Kg 5.9lb/Single Unit 5.5Kg 12.1lb/Double Unit |
| Dimensions | 201*198*47mm 7.9*7.8*1.85in/Single Unit 201*198*94mm 7.9*7.8*3.7in/Double Unit |

ORDER INFORMATION

| Single Unit | Double Unit | PIM and DC Bypass Ports |
|----------------------|----------------------|---|
| T17181921242750S | T17181921242750D | -150dBc, DC Bypass @None |
| T17181921242755S | T17181921242755D | -155dBc, DC Bypass @None |
| T17181921242750S-1 | T17181921242750D-1 | -150dBc, DC Bypass @1710-1880MHz |
| T17181921242755S-1 | T17181921242755D-1 | -155dBc, DC Bypass @1710-1880MHz |
| T17181921242750S-2 | T17181921242750D-2 | -150dBc, DC Bypass @1920-2170MHz |
| T17181921242755S-2 | T17181921242755D-2 | -155dBc, DC Bypass @1920-2170MHz |
| T17181921242750S-3 | T17181921242750D-3 | -150dBc, DC Bypass @2400-2700MHz |
| T17181921242755S-3 | T17181921242755D-3 | -155dBc, DC Bypass @2400-2700MHz |
| T17181921242750S-12 | T17181921242750D-12 | -150dBc, DC Bypass @1710-1880MHz&1920-2170MHz |
| T17181921242755S-12 | T17181921242755D-12 | -155dBc, DC Bypass @1710-1880MHz&1920-2170MHz |
| T17181921242750S-13 | T17181921242750D-13 | -150dBc, DC Bypass @1710-1880MHz&2400-2700MHz |
| T17181921242755S-13 | T17181921242755D-13 | -155dBc, DC Bypass @1710-1880MHz&2400-2700MHz |
| T17181921242750S-23 | T17181921242750D-23 | -150dBc, DC Bypass @1920-2170MHz&2400-2700MHz |
| T17181921242755S-23 | T17181921242755D-23 | -155dBc, DC Bypass @1920-2170MHz&2400-2700MHz |
| T17181921242750S-123 | T17181921242750D-123 | -150dBc, DC Bypass @All Ports |
| T17181921242755S-123 | T17181921242755D-123 | -155dBc, DC Bypass @All Ports |

Block Diagram



Outline Drawing

