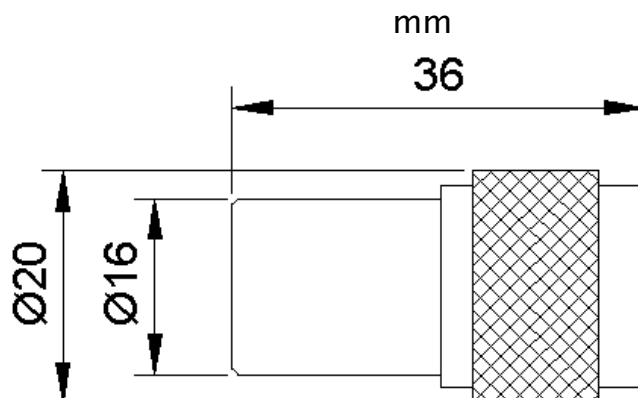


## Specifications



Models	LRNM-503 (Indoor)	LRNM-503P (Outdoor IP65)
Frequency	0-3GHz	
Power Capacity	5w	
VSWR	≤1.05	
Impedance	50Ω	
Intermodulation	NA	
Application	Indoor	Outdoor (IP65)
Connectors	N-Male	
Operating Temperature	-55°C to +125°C   -67°F to +257°F	
Weight	0.034Kg   0.075lb	
Dimensions	∅ 20*36mm   ∅ 0.78*1.42in	

## Outline Drawing

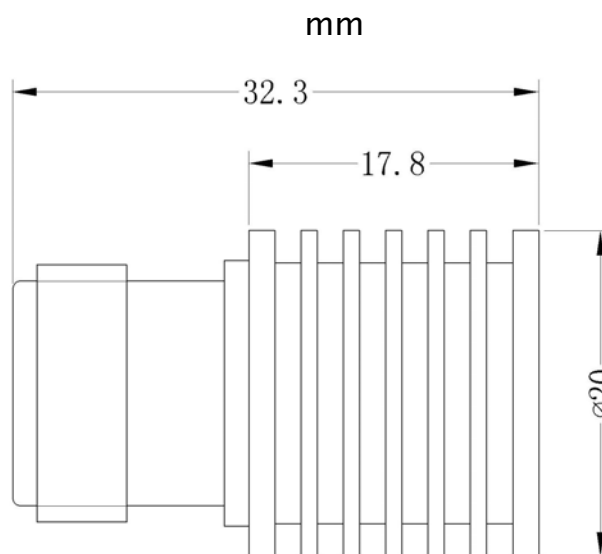


## Specifications



Models	LRNM-503-12B (Indoor)	LRNM-503P-12B (Outdoor IP65)
Frequency	0-3GHz	
Power Capacity	5w	
VSWR	≤1.2	
Impedance	50Ω	
Intermodulation	-120dBc (IMD3 with 2×33dBm)	
Application	Indoor	Outdoor (IP65)
Connectors	N-Male	
Operating Temperature	-55°C to +125°C   -67°F to +257°F	
Weight	0.026Kg   0.057lb	
Dimensions	∅ 20*32.3mm   ∅ 0.78*1.27in	

## Outline Drawing

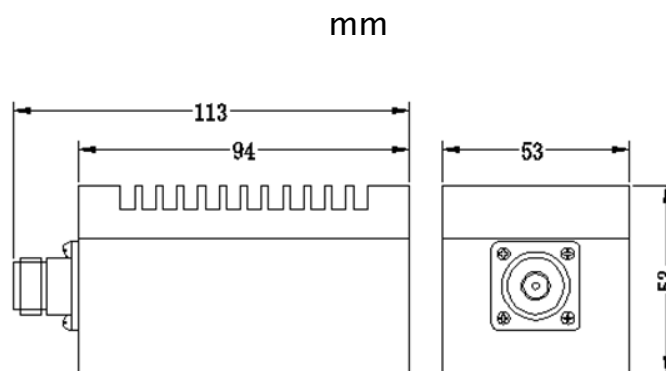




## Specifications

Models	LSNM-503-15B (Indoor)	LSNM-503P-15B (Outdoor IP65)
Frequency	0-3GHz	
Power Capacity	5w	
VSWR	≤1.2	
Impedance	50Ω	
Intermodulation	-150dBc (IMD3 with 2×33dBm)	
Application	Indoor	Outdoor (IP65)
Connectors	N-Male	
Operating Temperature	-55°C to +125°C   -67°F to +257°F	
Weight	0.038Kg   0.084lb	
Dimensions	94*53*53mm   3.7*2.08*2.08in	

## Outline Drawing

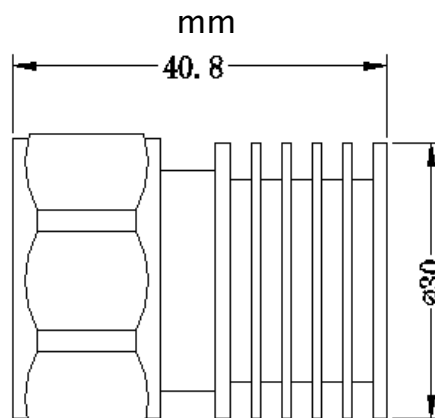


## Specifications



Models	LRDM-503 (Indoor)	LRDM-503P (Outdoor IP65)
Frequency	0-3GHz	
Power Capacity	5w	
VSWR	≤1.2	
Impedance	50Ω	
Intermodulation	NA	
Application	Indoor	Outdoor (IP65)
Connectors	DIN-Male	
Operating Temperature	-55°C to +125°C   -67°F to +257°F	
Weight	0.108Kg   0.238lb	
Dimensions	∅ 30*40.8mm   ∅ 1.18*1.6in	

## Outline Drawing

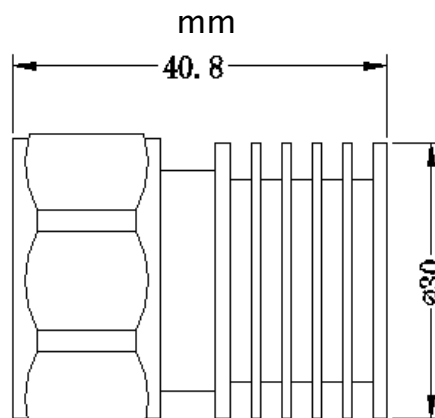


## Specifications



Models	LRDM-503-11B (Indoor)	LRDM-503P-11B (Outdoor IP65)
Frequency	0-3GHz	
Power Capacity	5w	
VSWR	≤1.2	
Impedance	50Ω	
Intermodulation	-110dBc (IMD3 with 2×33dBm)	
Application	Indoor	Outdoor (IP65)
Connectors	DIN-Male	
Operating Temperature	-40°C to +85°C   -40°F to +185°F	
Weight	0.108Kg   0.238lb	
Dimensions	∅ 30*40.8mm   ∅ 1.18*1.6in	

## Outline Drawing



## Specifications



Models	LRDM-503-12B (Indoor)	LRDM-503P-12B (Outdoor IP67)
Frequency	0-3GHz	
Power Capacity	5w	
VSWR	≤1.2	
Impedance	50Ω	
Intermodulation	-120dBc (IMD3 with 2×33dBm)	
Application	Indoor	Outdoor (IP67)
Connectors	DIN-Male	
Operating Temperature	-40°C to +85°C   -40°F to +185°F	
Weight	0.108Kg   0.238lb	
Dimensions	∅ 30*40.8mm   ∅ 1.18*1.6in	

## Outline Drawing

