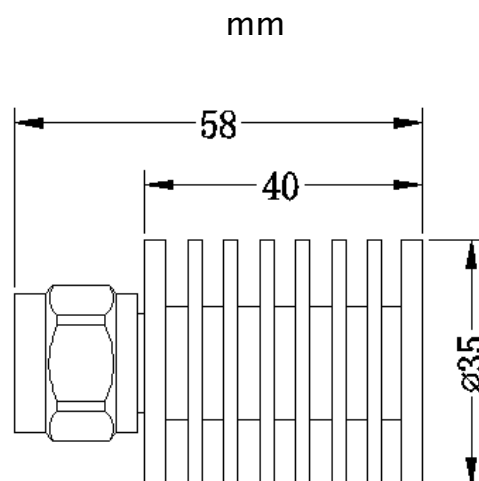


Specifications



Models	LRNM-1003-12B (Indoor)	LRNM-1003P-12B (Outdoor IP65)
Frequency	0-3GHz	
Power Capacity	10w	
VSWR	≤1.2	
Impedance	50Ω	
Intermodulation	-120dBc (IMD3 with 2×33dBm)	
Application	Indoor	Outdoor (IP65)
Connectors	N-Male	
Operating Temperature	-55°C to +125°C -67°F to +257°F	
Weight	0.09Kg 0.198lb	
Dimensions	∅ 35*58mm ∅ 1.38*2.28in	

Outline Drawing

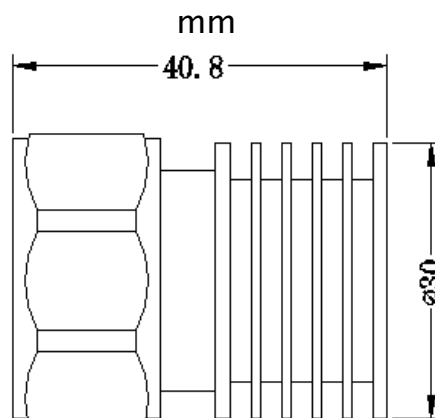


Specifications



Models	LRDM-1003-12B (Indoor)	LRDM-1003P-12B (Outdoor IP65)
Frequency	0-3GHz	
Power Capacity	10w	
VSWR	≤1.2	
Impedance	50Ω	
Intermodulation	-120dBc (IMD3 with 2×33dBm)	
Application	Indoor	Outdoor (IP65)
Connectors	DIN-Male	
Operating Temperature	-55°C to +125°C -67°F to +257°F	
Weight	0.108Kg 0.238lb	
Dimensions	∅ 30*40.8mm ∅ 1.18*1.6in	

Outline Drawing



Specifications



Models	LRDM-1003-14B (Indoor)	LRDM-1003P-14B (Outdoor IP67)
Frequency	0-3GHz	
Power Capacity	10w	
VSWR	≤1.2	
Impedance	50Ω	
Intermodulation	-140dBc (IMD3 with 2×33dBm)	
Application	Indoor	Outdoor (IP67)
Connectors	DIN-Male	
Operating Temperature	-55°C to +125°C -67°F to +257°F	
Weight	0.11Kg 0.242lb	
Dimensions	∅ 35*62.5mm ∅ 1.38*2.46in	

Outline Drawing

