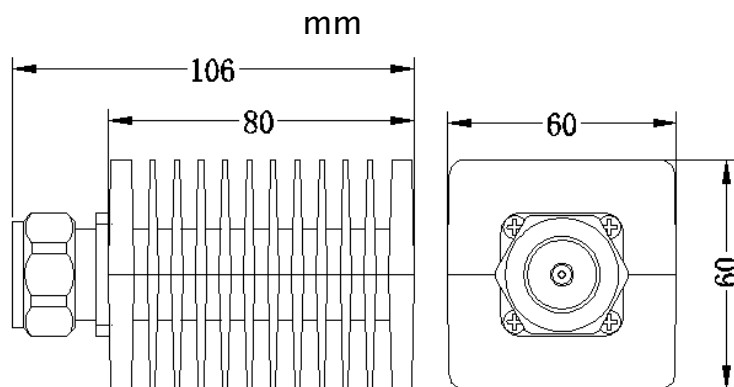


## Specifications



Models	LSNM-5003 (Indoor)	LSNM-5003P (Outdoor IP65)
Frequency	0-3GHz	
Power Capacity	50w	
VSWR	≤1.2	
Impedance	50Ω	
Intermodulation	NA	
Application	Indoor	Outdoor (IP65)
Connectors	N-Male	
Operating Temperature	-55°C to +125°C   -67°F to +257°F	
Weight	0.39Kg   0.86lb	
Dimensions	80*60*60mm   3.15*2.36*2.36in	

## Outline Drawing



## Specifications



Models	LSDM-5003 (Indoor)	LSDM-5003P (Outdoor IP65)
Frequency	0-3GHz	
Power Capacity	50w	
VSWR	≤1.2	
Impedance	50Ω	
Intermodulation	NA	
Application	Indoor	Outdoor (IP65)
Connectors	DIN-Male	
Operating Temperature	-55°C to +125°C   -67°F to +257°F	
Weight	0.448Kg   0.987lb	
Dimensions	80*60*60mm   3.15*2.36*2.36in	

## Outline Drawing

