

## Highlights

- Integrated cavity design reduces internal soldering and simplifies the assembly process, guaranteeing superior performance and reliability
- Internal cavity is completely silver-plated, to ensure top-quality electrical performance.
- IP66 protection enables stable working in any environment
- Compact design, easy installation
- Lifetime warranty



## ELECTRICAL SPECIFICATIONS

Models	F240809-2D5P	
Frequency	885-909MHz&930-954MHz	
Intermodulation	≤-150dBc (IMD3 with 2×20W)	
Insertion Loss	≤1.0dB @ 885-909MHz	≤0.5dB @ 930-954MHz
Inband Ripple	≤0.8dB @ 885-909MHz	≤0.4dB @ 930-954MHz
Rejection	≥60dB @ DC-885MHz	≥80dB @ 1710-2200MHz
VSWR	≤1.22	
Impedance	50Ω	
Power Handling	300w Average	

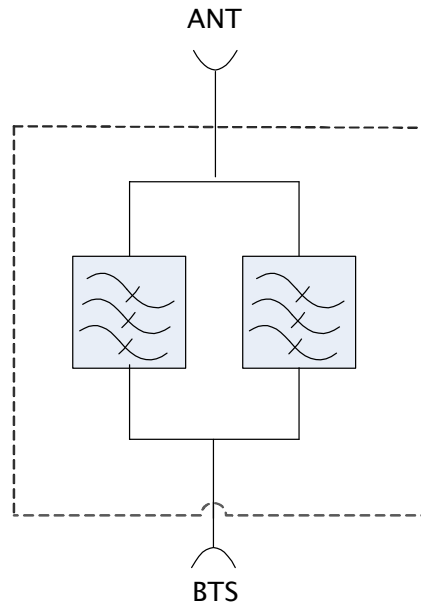
## ENVIRONMENT SPECIFICATIONS

Operating Temperature	-20°C to +55°C   -4°F to +140°F
Storage Temperature	-40°C to +85°C   -40°F to +185°F
Relative Humidity	Up to 95%
Application	Indoor or Outdoor (IP66)

## MECHANICAL SPECIFICATIONS

Color	Gray
Connectors	Port1: DIN-Female   Port2: DIN-Male
Weight	2.14Kg   4.72lb
Dimensions	221*146*61.5mm   8.7*5.74*2.42in

### Block Diagram



### Outline Drawing

