

Highlights

- Integrated cavity design reduces internal soldering and simplifies the assembly process, guaranteeing superior performance and reliability
- Internal cavity is completely silver-plated, to ensure top-quality electrical performance.
- IP66 protection enables stable working in any environment
- Compact design, easy installation
- Lifetime warranty



ELECTRICAL SPECIFICATIONS

Models	F1631718-1D5P
Frequency	1710-1873MHz
Intermodulation	≤-150dBc (IMD3 with 2×20W)
Insertion Loss	≤1.5dB
Inband Ripple	≤1.0dB
Rejection	≥70dB @ 1880MHz-2500MHz
VSWR	≤1.3
Impedance	50Ω
Power Handling	200w Average

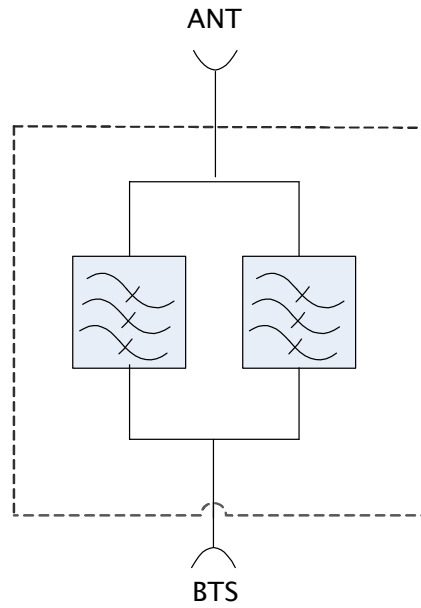
ENVIRONMENT SPECIFICATIONS

Operating Temperature	-40°C to +65°C -40°F to +149°F
Storage Temperature	-40°C to +85°C -40°F to +185°F
Relative Humidity	Up to 95%
Application	Indoor or Outdoor (IP66)

MECHANICAL SPECIFICATIONS

Color	Gray
Connectors	Port1: DIN-Female Port2: DIN-Male
Weight	2.14Kg 4.72lb
Dimensions	221*146*61.5mm 8.7*5.74*2.42in

Block Diagram



Outline Drawing

