

Highlights

- Integrated structure design: Filter is milled from one solid piece and has no soldered parts, guaranteeing superior electrical performance.
- Lower PIM, lower insertion loss, higher isolation, and higher power handling capacity.
- Differentiated DC block and DC bypass allow full compatibility with requiring TMAs.
- IP67 protection ensures stable performance in any environment.
- Compact design, easy installation.
- Lifetime warranty.



ELECTRICAL SPECIFICATIONS

Models	D39172750S (Single Unit) D39172750D (Double Unit)	D39172755S (Single Unit) D39172755D (Double Unit)
Frequency	380–960MHz / 1710–2700MHz	
Intermodulation	≤-150dBc (IMD3 with 2×20W)	≤-155dBc (IMD3 with 2×20W)
Insertion Loss	≤0.2dB	
Isolation	≥ 50dB	
VSWR	≤1.25	
Impedance	50Ω	
Power Handling	300w Average	
DC Bypass/AISG	MAX 3000mA	
Lightning Protection	3KA; 10/350μs Pulse	
MTBF	≥500,000h	

ENVIRONMENT SPECIFICATIONS

Operating Temperature	-20°C to +60°C -4°F to +140°F
Storage Temperature	-40°C to +85°C -40°F to +185°F
Relative Humidity	Up to 95%
Application	Indoor or Outdoor (IP67)

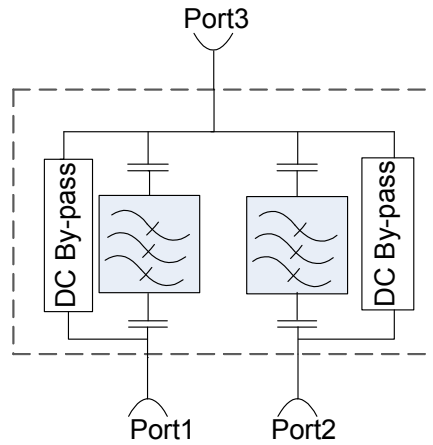
MECHANICAL SPECIFICATIONS

Color	Gray	
Connectors	DIN–Female (Long Neck)	
Weight	1.3Kg 2.9lb/Single Unit	2.7Kg 5.9lb/Double Unit
Dimensions	178*100*50mm 7*3.9*1.96in/Single Unit 178*100*106mm 7*3.9*4.2in/Double Unit	

ORDER INFORMATION

Single Unit	Double Unit	PIM and DC Bypass Ports
D39172750S	D39172750S	-150dBc, DC Bypass @None
D39172755S	D39172755D	-155dBc, DC Bypass @None
D39172750S-1	D39172755D-1	-150dBc, DC Bypass @380-960MHz
D39172755S-1	D39172760D-1	-155dBc, DC Bypass @380-960MHz
D39172750S-2	D39172750D-2	-150dBc, DC Bypass @1710-2700MHz
D39172755S-2	D39172755D-2	-155dBc, DC Bypass @1710-2700MHz
D39172750S-12	D39172750D-12	-150dBc, DC Bypass @All Ports
D39172755S-12	D39172755D-12	-155dBc, DC Bypass @All Ports

Block Diagram



Outline Drawing

