

Highlights

- Integrated structure design: Filter is milled from one solid piece and has no soldered parts, guaranteeing superior electrical performance.
- Lower PIM, lower insertion loss, higher isolation, and higher power handling capacity.
- Differentiated DC block and DC bypass allow full compatibility with requiring TMAs.
- IP66 protection ensures stable performance in any environment.
- Compact design, easy installation.
- Lifetime warranty.



ELECTRICAL SPECIFICATIONS

Models	D19A1750S (Single Unit) D19A1750D (Double Unit)	D19A1755S (Single Unit) D19A1755D (Double Unit)
Frequency	1850–1915MHz&1930–1995MHz/1710–1755MHz&2110–2155MHz	
Intermodulation	≤-150dBc (IMD3 with 2×20W)	≤-155dBc (IMD3 with 2×20W)
Insertion Loss	≤0.3dB	
Isolation	≥50dB	
VSWR	≤1.22	
Impedance	50Ω	
Power Handling	250w Average	
DC Bypass/AISG	MAX 2500mA	
Lightning Protection	3KA; 10/350µs Pulse	
MTBF	≥500,000h	

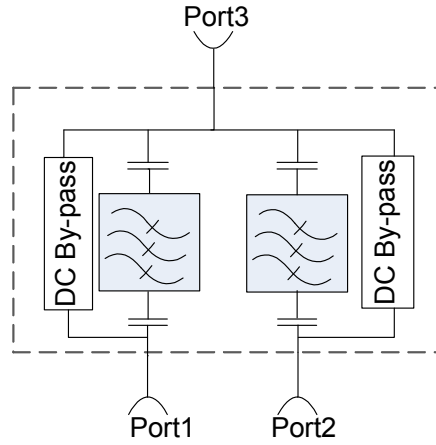
ENVIRONMENT SPECIFICATIONS

Operating Temperature	-35°C to +75°C -31°F to +167°F
Storage Temperature	-40°C to +85°C -40°F to +185°F
Relative Humidity	Up to 95%
Application	Indoor or Outdoor (IP66)

MECHANICAL SPECIFICATIONS

Color	Gray	
Connectors	DIN-Female (Long Neck)	
Weight	2.0Kg 4.4lb/Single Unit	4.0Kg 8.8lb/Double Unit
Dimensions	167*143*52mm 6.57*5.63*2.05in/Single Unit 167*143*106mm 7.9*6.45*4.2in/Double Unit	

Block Diagram



Outline Drawing

