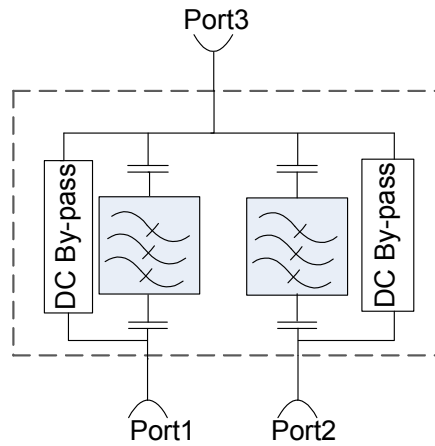




### ORDER INFORMATION

Single Unit	Double Unit	PIM and DC Bypass Ports
D080950S	D080950D	-150dBc, DC Bypass @None
D080955S	D080955D	-155dBc, DC Bypass @None
D080950S-1	D080950D-1	-150dBc, DC Bypass @825–890MHz
D080955S-1	D080955D-1	-155dBc, DC Bypass @825–890MHz
D080950S-2	D080950D-2	-150dBc, DC Bypass @905–960MHz
D080955S-2	D080955D-2	-155dBc, DC Bypass @905–960MHz
D080950S-12	D080950D-12	-150dBc, DC Bypass @ALL Ports
D080955S-12	D080955D-12	-155dBc, DC Bypass @ALL Ports

### Block Diagram



### Outline Drawing

