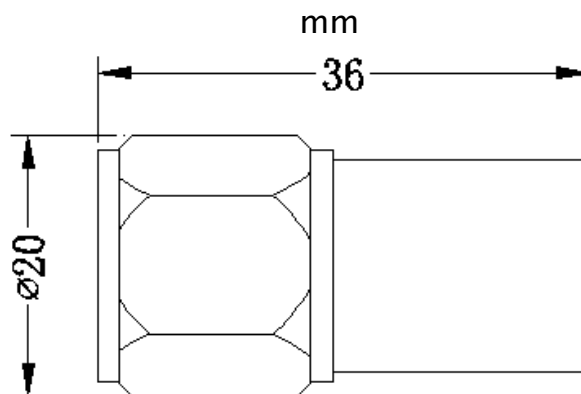


Specifications



Models	LRNM-203 (Indoor)	LRNM-203P (Outdoor IP65)
Frequency	0-3GHz	
Power Capacity	2w	
VSWR	≤1.05	
Impedance	50Ω	
Intermodulation	NA	
Application	Indoor	Outdoor (IP65)
Connectors	N-Male	
Operating Temperature	-55°C to +125°C -67°F to +257°F	
Weight	0.044Kg 0.097lb	
Dimensions	∅ 20*36mm ∅ 0.78*1.42in	

Outline Drawing

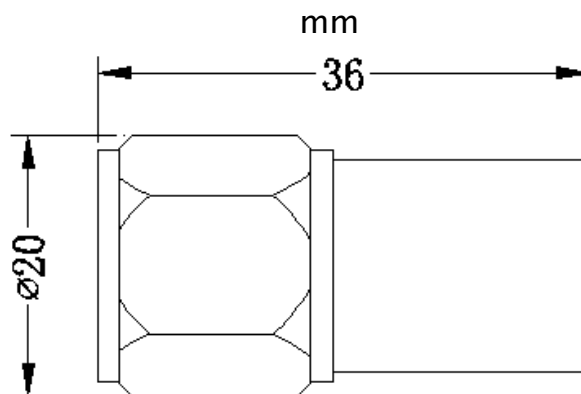


Specifications



Models	LRNM-204 (Indoor)	LRNM-204P (Outdoor IP65)
Frequency	0-4GHz	
Power Capacity	2w	
VSWR	≤1.25	
Impedance	50Ω	
Intermodulation	NA	
Application	Indoor	Outdoor (IP65)
Connectors	N-Male	
Operating Temperature	-55°C to +125°C -67°F to +257°F	
Weight	0.044Kg 0.097lb	
Dimensions	∅ 20*36mm ∅ 0.78*1.42in	

Outline Drawing

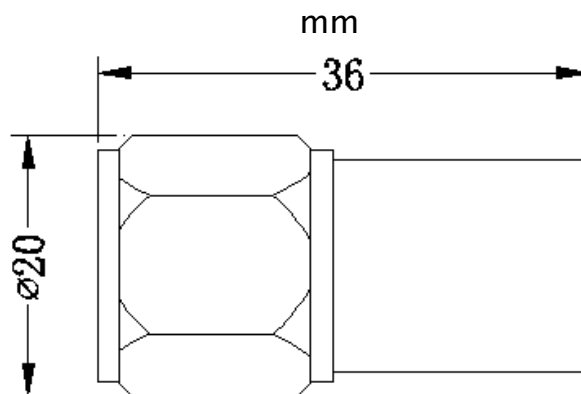


Specifications



Models	LRNM-206 (Indoor)	LRNM-206P (Outdoor IP65)
Frequency	0-6GHz	
Power Capacity	2w	
VSWR	≤1.3	
Impedance	50Ω	
Intermodulation	NA	
Application	Indoor	Outdoor (IP65)
Connectors	N-Male	
Operating Temperature	-55°C to +125°C -67°F to +257°F	
Weight	0.044Kg 0.097lb	
Dimensions	∅ 20*36mm ∅ 0.78*1.42in	

Outline Drawing

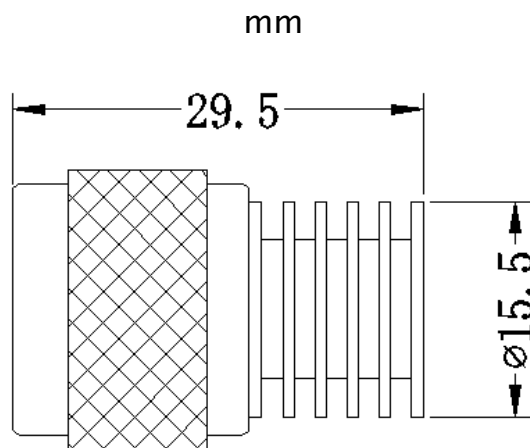


Specifications



Models	LRNM-208 (Indoor)	LRNM-208P (Outdoor IP65)
Frequency	0-8GHz	
Power Capacity	2w	
VSWR	≤1.25	
Impedance	50Ω	
Intermodulation	NA	
Application	Indoor	Outdoor (IP65)
Connectors	N-Male	
Operating Temperature	-55°C to +125°C -67°F to +257°F	
Weight	0.03Kg 0.066lb	
Dimensions	∅ 15.5*29.5mm ∅ 0.61*1.16in	

Outline Drawing

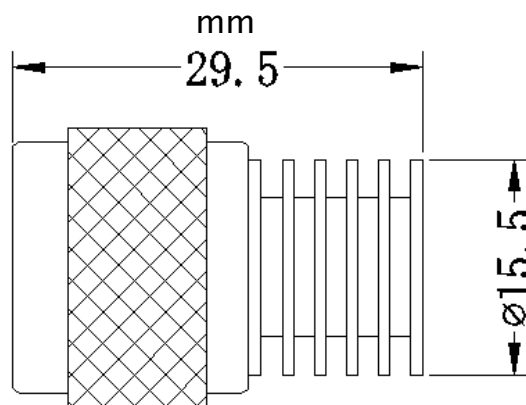


Specifications



Models	LRNM-108 (Indoor)	LRNM-108P (Outdoor IP65)
Frequency	0-8GHz	
Power Capacity	1w	
VSWR	≤1.25	
Impedance	50Ω	
Intermodulation	NA	
Application	Indoor	Outdoor (IP65)
Connectors	N-Male	
Operating Temperature	-55°C to +125°C -67°F to +257°F	
Weight	0.03Kg 0.066lb	
Dimensions	∅ 15.5*29.5mm ∅ 0.61*1.16in	

Outline Drawing



Specifications



Models	LRDM-203 (Indoor)	LRDM-203P (Outdoor IP65)
Frequency	0-3GHz	
Power Capacity	2w	
VSWR	≤1.15	
Impedance	50Ω	
Intermodulation	NA	
Application	Indoor	Outdoor (IP65)
Connectors	DIN-Male	
Operating Temperature	-55°C to +125°C -67°F to +257°F	
Weight	0.108Kg 0.238lb	
Dimensions	∅ 30*40.8mm ∅ 1.18*1.6in	

Outline Drawing

